



## La Barista Coffee packaging System

AMAZING ACCURACY

Everything you need is included  
Integrated Auger Filler  
Engineered for amazing flexibility  
10 to 80 packages per minute  
Under 10 minute set-up times  
Compact Design



The system that will not let your customers down

Since 1996 we at ARTYPAC have been taking great pride in supplying our customers with the simplest most dependable automated systems on the market.

Made to easily produce:

- Frac Pacs
- Gas Flushing
- Institutional 1pds
- In-Room Bag-in-Bag
- De-Gassing Valve
- Date coding
- Up to 1kg institutional
- Available for Block bottom Retail bags
- Speeds up to 80 bags per minute



3315 Boul. Industriel  
Laval, Quebec  
Canada, H7L 4S3

Phone: 450.668.6600  
Toll free: 877.768.6600  
Fax: 450.668.6633  
E-mail: info@artypac.com

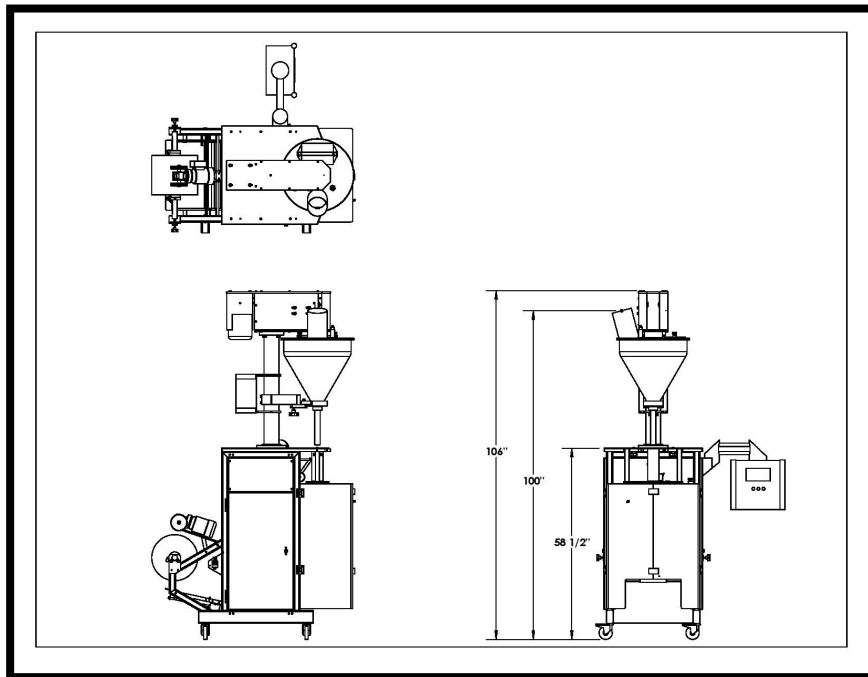
www.artypac.com

Made in Canada by:



Beyond Expectations

# ARTY 80V Barista



## FEATURES

- PLC controlled.
- Color touch screen HMI display
- Memory for 99 recipes.
- Fault alarm shut down and message display.
- Digital PID temperature controllers.
- Vectormotion** drive system
- Articulated control panel.
- Programmable bag length.
- Programmable bag counter.
- Motorized reel holder.
- Quick changeover and set-up without tools.
- Lever operated sealing jaws
- Jaws obstruction detection
- Polycarbonate safety guards with interlocking safety switches
- Solid tubular steel construction, protected with Steel-it paint
- Perfectly integrated **TORNADO600** Auger System
- Amazing accuracy

## TECHNICAL DATA

Bag length:	Min. ----1 1/2"	Max. ----12"
Bag width:	Min. ----1 1/2"	Max. ----7 1/2"
Reel size:	width max. -----18"	
	Max. OD -----14"	
	core -----3"	
Speeds up to:	100 packages per minute	
Power supply:	220/110 V, 10 A, single phase	
Compressed air:	4 cfm, 80 psi	