



The all new ARTY75H

*The system that will not
let YOUR customers down*

Everything you need is included
Easy clean designs
High speed
Engineered for Amazing Flexibility
10 to 400 packages per minute



Simple user friendly Touch
screen with pre-programmed
set-up teacher



We at ARTYPAC take great pride in supplying our customers with the simplest most dependable fully automated systems on the market.

Made to handle:

Breads - Candies
Croissants - Muffins
Collection Cards
Doughnuts- Biscotti's
Fire Logs - Industrial
Parts - Frozen Foods
Chocolates Pies
Danishes - Fruits and
Vegetables - Waffles
Bagels - Puff Pastry
Date Squares - Mille
Feuilles- Buns - Moon
pies - Pancakes
Sandwiches - Diner
rolls - Marshmallow
Treats and more



Visit our youtube channel at:
<https://www.youtube.com/user/artypacautomation>

3315 Boul. Industriel
Laval, Quebec
H7L 4S3

Phone: 450.668.6600
Toll free: 877.768.6600
Fax: 450.668.6633
E-mail: info@artypac.com

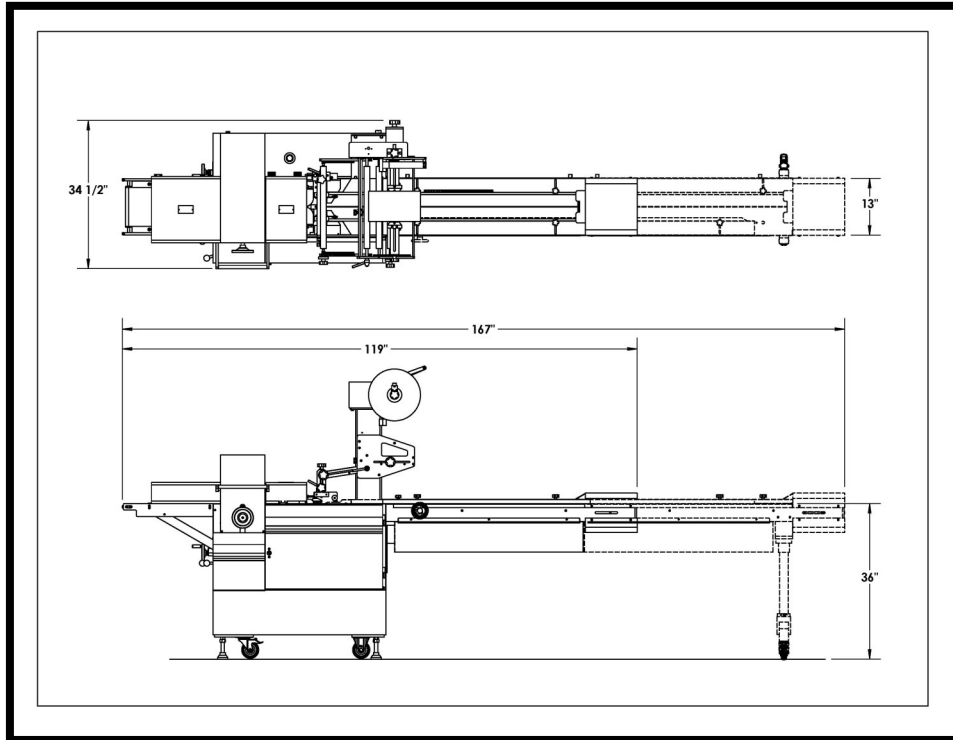
www.artypac.com

MADE IN CANADA BY :



Beyond Expectations since 1996

7KH 1 (: \$57 < +



FEATURES

- δ ρ δ ρ
- M -XSV
- δFHQWHULQJ UHHO KROGHU
- δ ρ
- -RII OHQJWK DGMXVWPHQW E\ PHDQV RI D KDQG ZKHHO DQG D PHFKDQLFDO YDULDWURU RU RSWLRQDO GHUYR 'ULYH
- δ
- ρ δ
- ρ δ
- ρ ρ
- δ ρ δ ρ ρ
- δ δ ρ
- ρ ρ
- ρ ρ ρ

\$YDLODEOH ZLWK IXOO\ LQWH
 PDWLF DOLJQLQJ DQG VSDFL
 6PDUW &RQYH\RU

ρ% DJ OHQJWK ρ δ' 0D['
 %DJ ZLGWK 0LQ ρ 0D['
 5HHO VL]H 0D[ZLGWK '
 ρ ρ 0D[2' '
 &RUH δ '
 6SHHGV XS WLRQJ OH MDZ
 EDJV SHU PRXQWH MDZV
 4XDGUXSOH MDZV
 W}Á œ • μ% ρ o ÇW
 %
 %