

FEATURES

- PLC controller.
- 4x20 backlit LCD display, 19 membrane keys, memory for 99 recipes.
- Fault alarm shut down and message display.
- Digital PID temperature controllers.
- **VECTORMOTION™** direct-drive system driving two side belts to advance the film.
- Floating, self-centering pulling belts system, adjustable by means of a hand wheel.
- Articulated control panel.
- Programmable bag lengths.
- Programmable bag counters.
- Motorized reel holder.
- Quick changeover and set-up without tools.
- Lever operated sealing jaws, by means of a pneumatic rotary cylinder.
- Jaws obstruction detection with automatic release and immediate machine stop.
- Polycarbonate safety guards with interlock safety switches.
- Solid tubular steel construction, protected with white powdered electrostatic baked paint.

OPTIONAL FEATURES

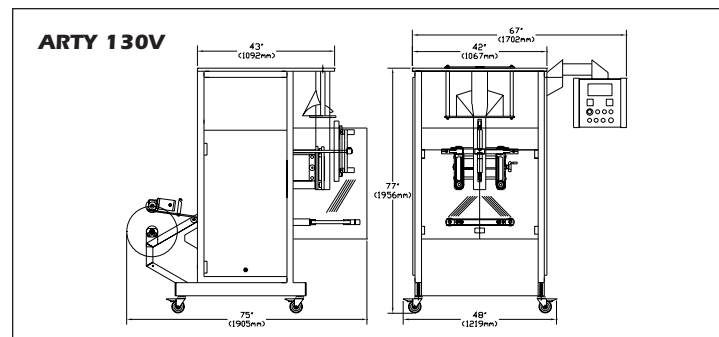
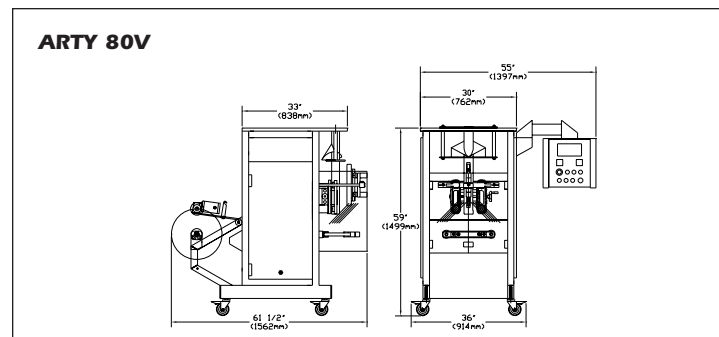
- Print registration system.
- Inclined exit belted conveyor.
- Collating turntable.
- Second reel holder.
- Punching displaying holes.
- Opening notch punch.
- Gusseting attachment.
- Flat bottom bag attachment.
- Gas flush.
- Static eliminators.
- Date coders and inline printers.

ARTY 80V & 130V

TECHNICAL DATA ARTY 80V & 130V

	ARTY 80V	ARTY 130V
Bag length	Min. 1" (25mm) Max. 13" (330mm)	Min. 1" (25mm) Max. 17" (430mm)
Bag width	Min. 1" (25mm) Max. 7", 8"* (175/200mm)	Min. 2" (50mm) Max. 12" (305mm)
Reel size	Max width 18" (460mm) Max O.D. 14" (355mm)	Max width 28" (710mm) Max O.D. 14" (355mm)
	Core 3" (75mm)	Core 3" (75mm)
Speeds up to	75 packages per minute	70 packages per minute
Power supply	220V, 10A, single phase	220V, 12A, single phase
Compress air	4 cfm, 80 psi	5 cfm, 80 psi

* With optional 9" sealing jaws. Specifications are subject to change without notice.



ARTY-PAC



ARTY 80V

ARTY 80V & 130V

Repeatability and Versatility

Multiple applications...



Two standard models available to cover a wide variety of applications.

Solid tubular construction protected with durable electrostatic powdered paint and stainless steel contact parts.

Innovative ideas for today's changing markets.

All stainless steel version



Complete line integration



- **Simplified design**, the **ARTY 80V**, is an **easy-to-use vertical form-fill-and-seal** machine for pillow-pack type applications. The **ARTY 130V** is simply a larger version for larger applications.

- Its **original design** represents a **cost efficient solution for a wide variety of applications** such as: coffee, spices, powders, cereals, candies, vegetables, juices, as well as chemical, pharmaceutical and house hold products.

- It is **compatible and easy to link** with single or multiple head linear scales, multi head combination scales, volumetric-cup fillers, auger fillers, liquid fillers, and other specialized fillers.

- It features a floating, self-centering film pulling belts system for **easy set-up**, our maintenance-free **VECTORMOTION™** drive system providing **smooth operation and accurate bag lengths**.

- All functions are PLC controlled and a **user-friendly digital interface** allows the operator to store up to 99 recipes for **fast changeover**.

- **A complete set-up or changeover can be done in just minutes and with no tools necessary.**

- All stainless steel versions are available, as well as numerous attachments such as flat bottom bags, gussets, heated hole punch, print registration, printing devices for bar codes and expiration dates...

Using the latest technologies, our team of dedicated technicians is creating easy-to-use packaging equipment for the food, drug, chemical and hardware industries, requiring minimal maintenance and no advanced skills to operate.



... Advantage of simplicity